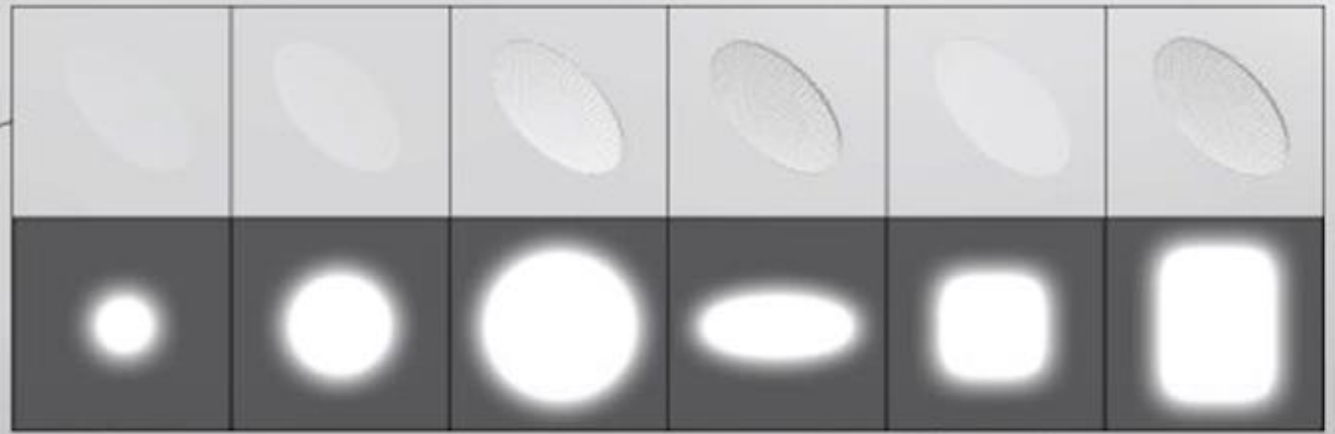


NEW



Different beam angles by changing diffusors

Various diffusors for spot, flood, wide flood, oval, rectangle and wallwash light are designed with micro pattern structure to reduce spill light and control dazzle light.



Spot

Flood

Wide Flood

Oval

Rectangle

Wall wash

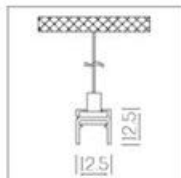


Electrodeless zoom

Adjust the beam angles by rotating the front cover of the light body to make perfect light effect easily.

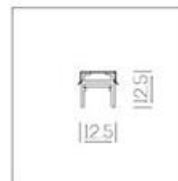
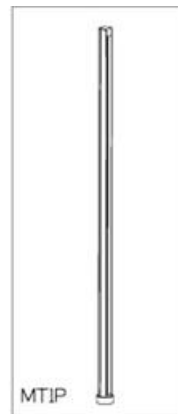
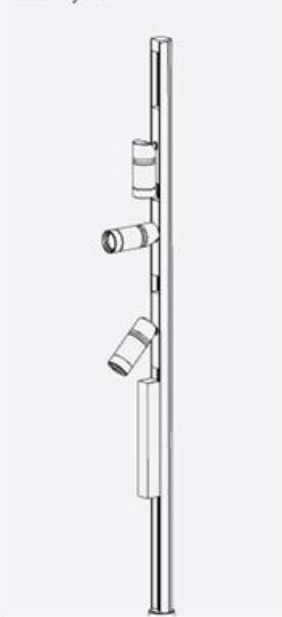


Magnetic suspending track system



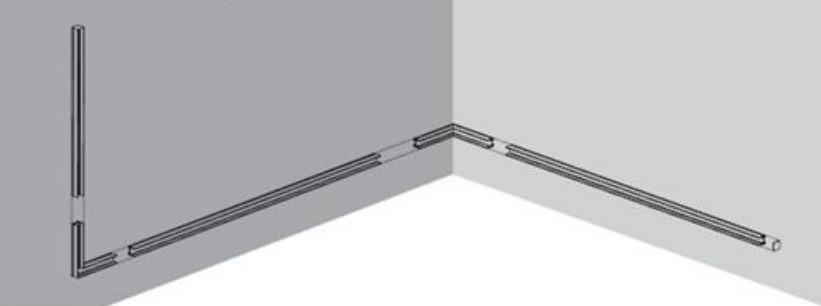
Input DC 12V
Black / White / Silvery
L = 0.5m / 1m / 2m

Magnetic stand-mounting track system

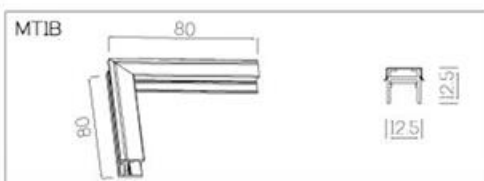
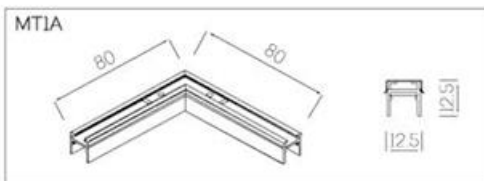


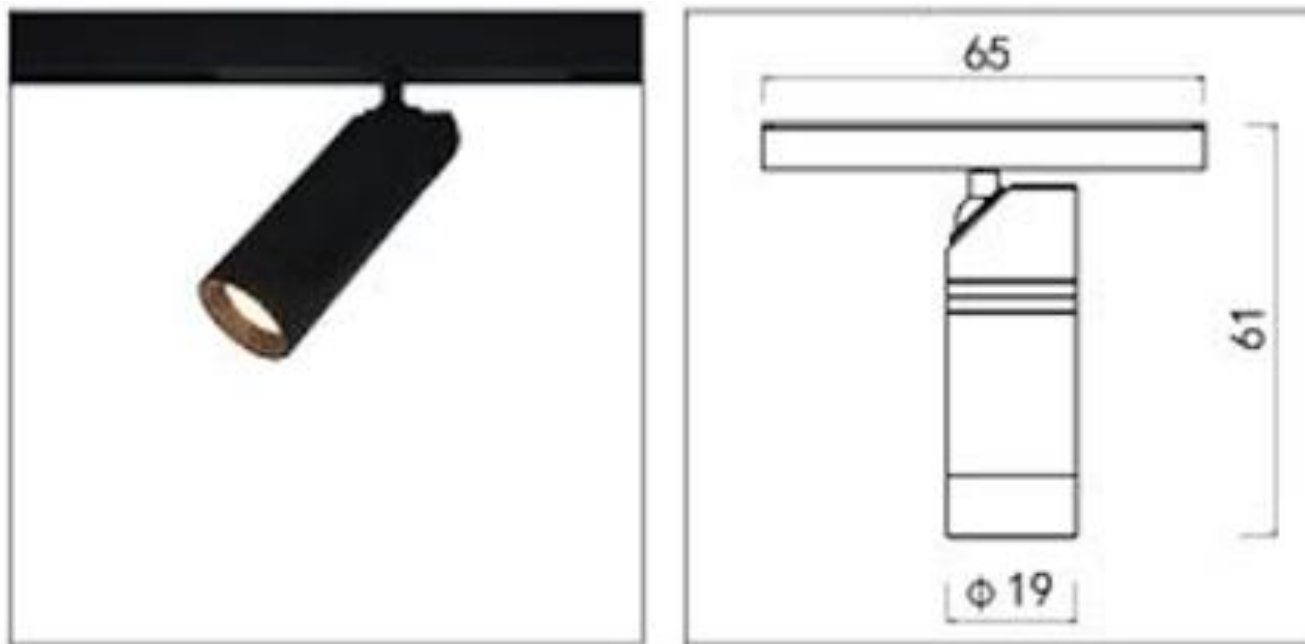
Input DC 12V
Black / White / Silvery
L = 0.5m / 1m

Magnetic surface-mounting track system

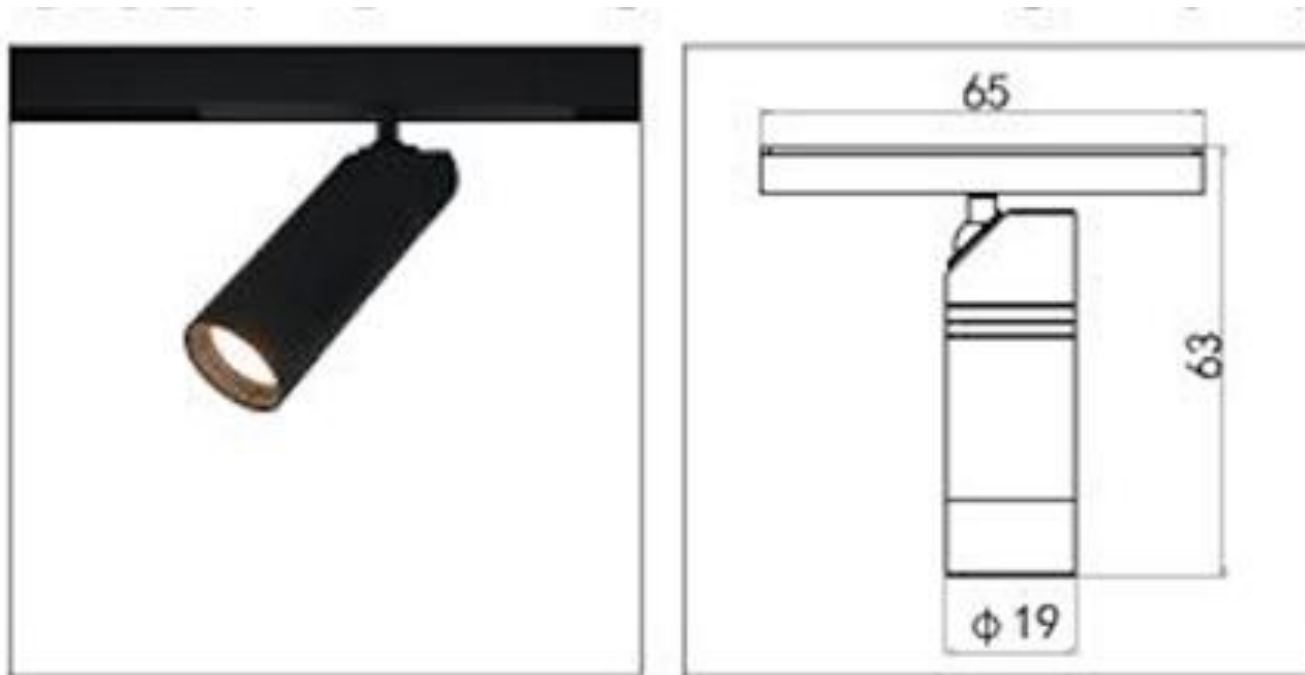


Input DC 12V
Black / White / Silvery
L = 0.5m / 1m / 2m

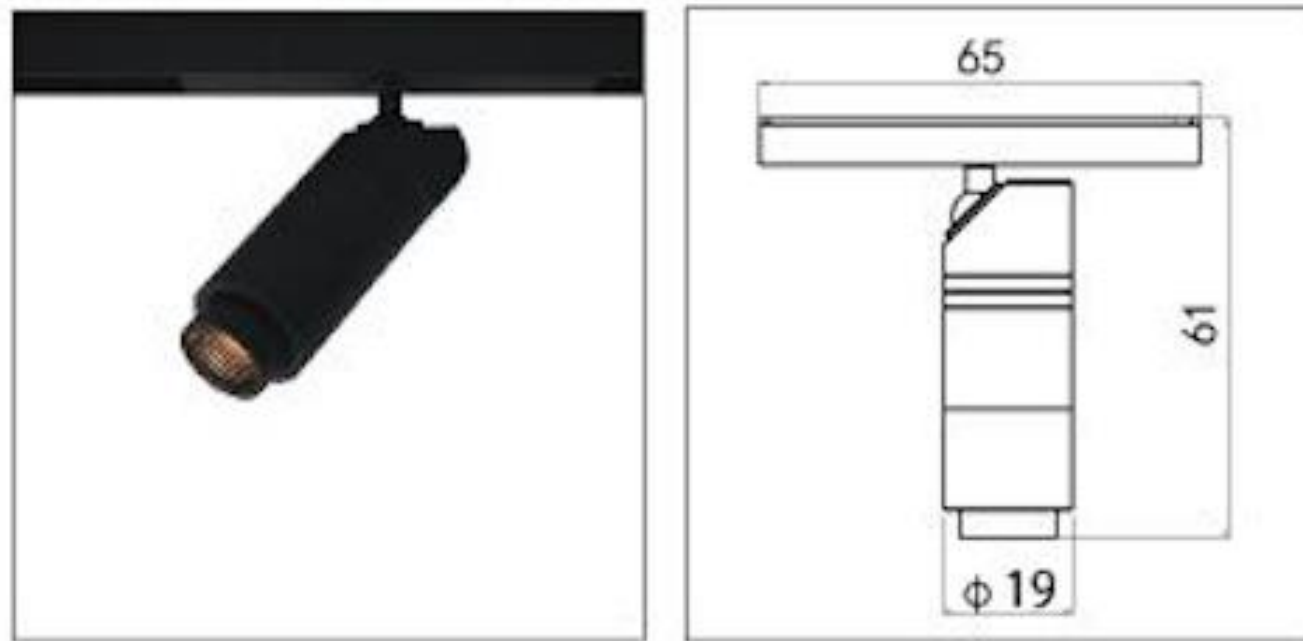




	Specification Options
Description	Fixed beam spotlight for 12V magnetic track system.
Light Source	LED
Power Consumption	2W
Luminous Flux Delivered	150Lm (3000K)
Colour	2700K / 3000K / 4000K
Beam Angle	15° / 24° / 38° / 60°
CRI	>90
Lifetime	50,000 Hours
Finish	Black / white / silver
Ingress Protection	IP20
Diffuser	N/A
Dimming/Control	Dimmable remote driver
Dimensions	Dia: 19mm H: 61mm W: 65mm



	Specification Options
Description	Changeable beam spotlight for 12V magnetic track system. Selection of different diffusers to create different beam angles.
Light Source	LED
Power Consumption	2W
Luminous Flux Delivered	120Lm
Colour	2700K / 3000K / 4000K
Beam Angle	Spot / flood / wide flood / oval / rectangle / wall wash
CRI	>90
Lifetime	50,000 Hours
Finish	Black / white / silver
Ingress Protection	IP20
Diffuser	N/A
Dimming/Control	Dimmable remote driver
Dimensions	Dia: 19mm H: 63mm W: 65mm



	Specification Options
Description	Changeable focusing beam spotlight for 12V magnetic track system. You are able to change the beam angles by rotating the front cover.
Light Source	LED
Power Consumption	2W
Luminous Flux Delivered	110Lm
Colour	2700K / 3000K / 4000K
Beam Angle	Electrodeless zoom 10° - 30°
CRI	>90
Lifetime	50,000 Hours
Finish	Black / white / silver
Ingress Protection	IP20
Diffuser	N/A
Dimming/Control	Dimmable remote driver
Dimensions	Dia: 19mm H: 61mm W: 65mm