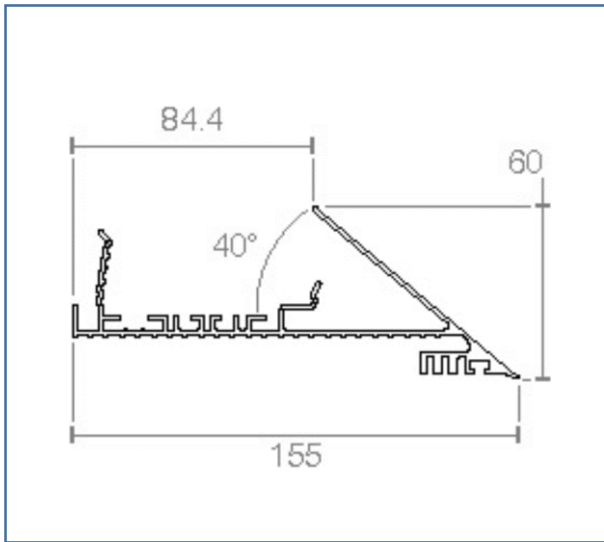


# Edge



## Features:

- Recessed cove lighting.
- Continuous, discreet lighting within the ceiling, for that perfect edge.
- Can be mitred to form shapes and be plastered in.
- Can have daylight sensors, PIR sensors and integrated track on request.

|                           | Specification options  |
|---------------------------|--|
| <b>Light Source</b>       | LED  |
| <b>Power Consumption</b>  | 4.8W, 14.4W, 23W   |
| <b>Lumens</b>             | 320Lm, 1000Lm, 2500Lm  |
| <b>Colour Options</b>     | 2700K, 3000K, 4000K, 5000K, tuneable white, RGBW                         |
| <b>Beam Angle Options</b> | -  |
| <b>CRI</b>                | 80   |
| <b>Lifetime</b>           | 50,000 hours   |
| <b>Finish</b>             | Matt black, matt white, anodised aluminium, RAL                          |
| <b>Ingress Protection</b> | IP20, IP67   |
| <b>Diffuser</b>           | Opal, Clear  |
| <b>Dimming Options</b>    | Contact <a href="mailto:info@4dlighting.co.uk">info@4dlighting.co.uk</a> |
| <b>Dimensions</b>         | W: 155mm x D: 60mm x L: Bespoke  |