

## CODE: FL1

### DESCRIPTION

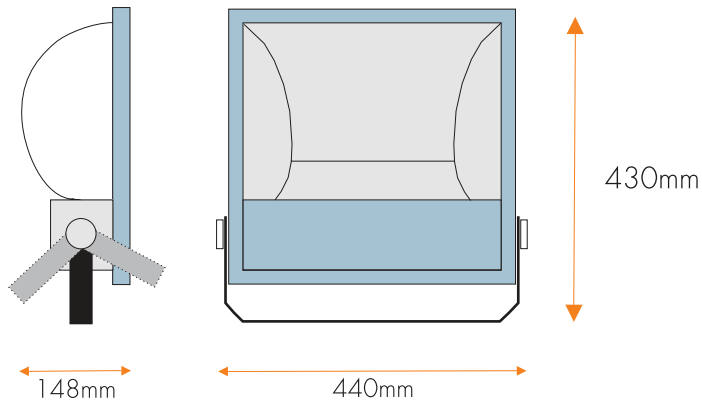
Exterior floodlight with adjustable stirrup bracket. Ideal for wall mounting and post top mounting.

FL1

Suitable - 150w / 250w / 400w SON & MH

### SPECIFICATION

- IP65
- Die-cast aluminium body (FL1)
- Clear toughened glass lens



Fully wired	Lamps included
T9FL150SL	150w SON
T9FL250SL	250w SON
T9FL400SL	400w SON
T9FL150HL	150w HALIDE
T9FL250HL	250w HALIDE
T9FL400HL	400w HALIDE