

T9

Exterior
Range

CODE: CALDERA

DESCRIPTION

A discrete IP65 luminaire capable of up and down illumination. Black dry powder coated die-cast aluminium base and front cover. Up and down light components are controlled by separate reflectors. They offer either a 'wide beam' or more focused 'wallwash' distribution. Using a wide beam for the downlight component is particularly useful for illuminating both the wall and the walkway beneath. Wallwash distributions are offered with a number of coloured filter options.

Available Version:

26W PL

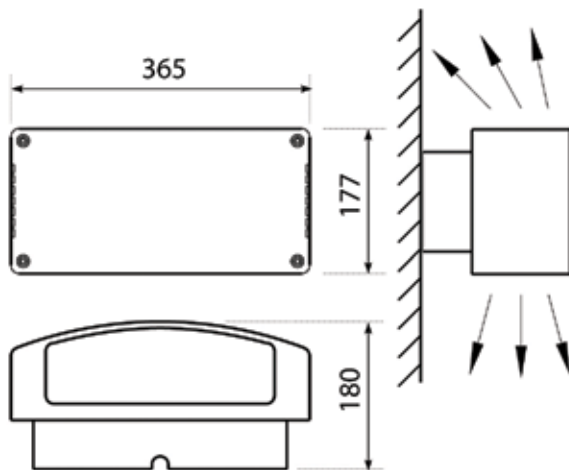
2x26W PL

70W CMH

70W MH

150W CMH

150W MH



Fully wired	Lamps included
T9WWCPL26L	26W PL c/w switch-start gear
T9WWCPL226L	2x26W PL c/w switch-start gear
T9WWCH70TCL	70W Ceramic Metal Halide c/w double ended lamp
T9WWCH70TL	70W Metal Halide c/w double ended lamp
T9WWCH150TCL	150W Ceramic Metal Halide c/w double ended lamp
T9WWCH150TL	150W Metal Halide c/w double ended lamp