

T9

Exterior
Range

CODE: BOCA

DESCRIPTION

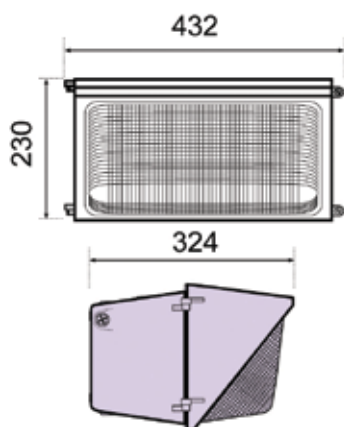
Exterior amenity wall light, black die-cast aluminium body with heat resistant glass or prismatic polycarbonate diffuser.

Available Version:

150W

250W

400W



Fully wired	Lamps included
T9WLCS150TL	150W SON fitting c/w integral gear, timed ignitor & lamp
T9WLCS250TL	250W SON fitting c/w integral gear, timed ignitor & lamp
T9WLCS400TL	400W SON fitting c/w integral gear, timed ignitor & lamp
T9WLCH150TL	150W Metal Halide fitting c/w integral gear, timed ignitor & lamp
T9WLCH250TL	250W Metal Halide fitting c/w integral gear, timed ignitor & lamp
T9WLCH400TL	400W Metal Halide fitting c/w integral gear, timed ignitor & lamp
T9WLCS250L	250W MBF fitting c/w integral gear & lamp