

CODE: HB

DESCRIPTION

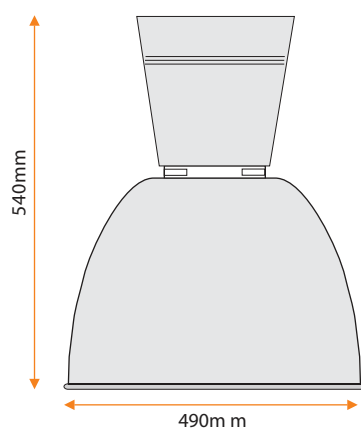
Highbay luminaire for use in industrial, recreational and commercial areas where sufficient mounting height is available.

Available Version:

250w SON	250W MH
400W SON	400W MH

SPECIFICATION

- Aluminium polished reflector
- Silver spun gearing housing
- Removable gear tray (optional)
- Wire guard attachment
- Glass visor (optional)



Glass view



Wire guard

Fully wired c/w lamps

T8HB250SL	250W SON
T8HB400SL	400W SON
T8HB250HL	250W MH
T8HB400HL	400W MH