

T3

Compact
Decorative Range

CODE: **SPHP**

DESCRIPTION

A slimline circular pendant luminaire with flame retardant polycarbonate opal diffuser. Available in white, chrome or brass finish body, with a selection of clear, blue, red or green halo filter.

Available Version:

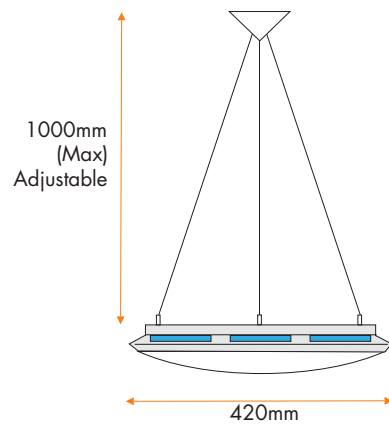
1x28W 2D

1x38W 2D

Emergency version available

SPECIFICATION

- Metal spun body (white/brass/chrome)
- Polycarbonate opal diffuser
- Adjustable height (Max 1m)
- polycarbonate refractor lens



* Halo filters

C = clear filter

G = green filter

B = blue filter

R = red filter

* select halo filter

High frequency

Fully wired

Lamps included

T3SPHP28DZW0*L

28W white opal

T3SPHP28DZG0*L

28W brass opal

T3SPHP28DZC0*L

28W chrome opal

T3SPHP38DZW0*L

38W white opal

T3SPHP38DZG0*L

38W brass opal

T3SPHP38DZC0*L

38W chrome opal