

# T3

Compact  
Decorative Range

## CODE: SPAP

### DESCRIPTION

A slimline circular pendant luminaire with flame retardant polycarbonate opal diffuser. Available in white, chrome or brass finish.

Available Version:

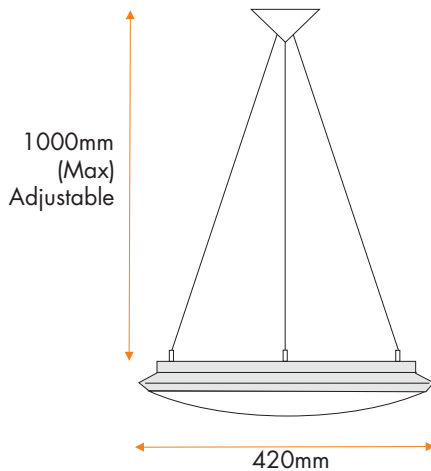
1x28W 2D

1x38W 2D

Emergency version available

### SPECIFICATION

- Metal spun body (white/brass/chrome)
- Polycarbonate opal diffuser
- Adjustable height (MAX 1m)



### High frequency

#### Fully wired

#### Lamps included

T3SPAP28DZWOL

28W white opal

T3SPAP28DZGOL

28W brass opal

T3SPAP28DZCOL

28W chrome opal

T3SPAP38DZWOL

38W white opal

T3SPAP38DZGOL

38W brass opal

T3SPAP38DZCOL

38W chrome opal