

T3

Compact
Decorative Range

CODE: **ECPP**

DESCRIPTION

A slimline circular pendant luminaire with flame retardant polycarbonate opal diffuser. Available in white, chrome, brass or brushed steel finish.

Available Version:

1x28W 2D

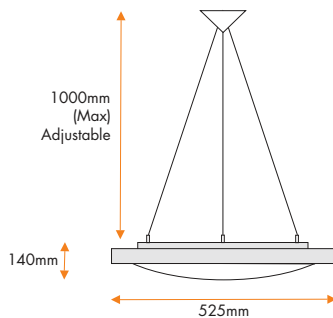
1x38W 2D

1x55W 2D

Emergency version available

SPECIFICATION

- Metal spun body (white/brass/chrome/brushed steel)
- Polycarbonate opal diffuser
- Adjustable suspension height (Max 1m)



High frequency	
Fully wired	Lamps included
T3ECP28DZWOL	28W white opal
T3ECP28DZGOL	28W brass opal
T3ECP28DZCOL	28W chrome opal
T3ECP28DZSOL	28W steel opal
T3ECP38DZWOL	38W white opal
T3ECP38DZGOL	38W brass opal
T3ECP38DZCOL	38W chrome opal
T3ECP38DZSOL	38W steel opal
T3ECP55DZWOL	55W white opal
T3ECP55DZGOL	55W brass opal
T3ECP55DZCOL	55W chrome opal
T3ECP55DZSOL	55W steel opal