

## T3 Compact Decorative Range

■ QDR	p20
■ SPA	p21
■ SPAP	p22
■ SPH	p23
■ SPHP	p24
■ ECP	p25
■ ECPP	p26
■ TUS	p27
■ TUSP	p28

# T3

Compact  
Decorative Range

## CODE: QDR

### DESCRIPTION

Compact wall mounted luminaire with opal diffuser. Ideal for upward and downward light. Available in clear, blue, green and red halo filter attachments.

Available Version:

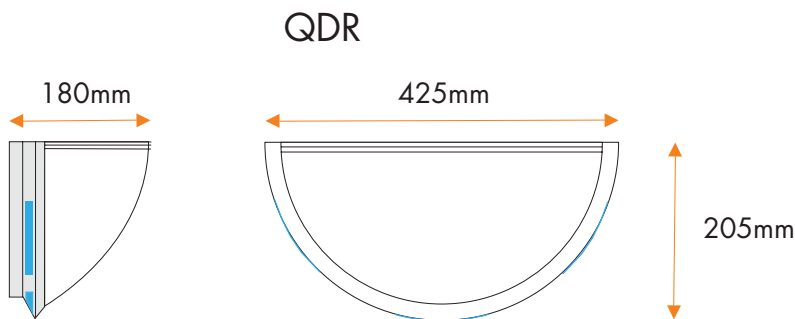
2x18W PLC

2x26W PLC

Emergency version available

### SPECIFICATION

- White powder coated metal body
- UV stabilised opal diffuser



Fully wired	Lamps included
*T3QDR118CZ	1x18W HF Gear
*T3QDR218CZ	2x18W HF Gear
*T3QDR126CZ	1x26W HF Gear
*T3QDR226CZ	2x26W HF Gear
<b>* Halo filters</b>	
C = clear filter	G = green filter
B = blue filter	R = red filter
<i>Add suffix</i>	

## CODE: **SPA**

### DESCRIPTION

A slimline circular luminaire ideal for ceiling/wall mounting. Flame retardant polycarbonate opal diffuser. Available in white, chrome or brass finish.

Available Version:

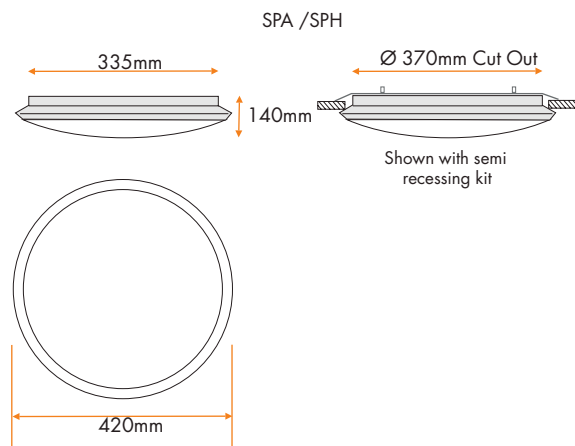
1x28W 2D

1x38W 2D

Emergency version available

### SPECIFICATION

- Metal spun body (white/brass/chrome)
- Polycarbonate opal diffuser
- Semi recessing kit available (optional)



High frequency	
Fully wired	Lamps included
T3SPA28DZWOL	28W white opal
T3SPA28DZGOL	28W brass opal
T3SPA28DZCOL	28W chrome opal
T3SPA38DZWOL	38W white opal
T3SPA38DZGOL	38W brass opal
T3SPA38DZCOL	38W chrome opal

# T3

Compact  
Decorative Range

## CODE: SPAP

### DESCRIPTION

A slimline circular pendant luminaire with flame retardant polycarbonate opal diffuser. Available in white, chrome or brass finish.

Available Version:

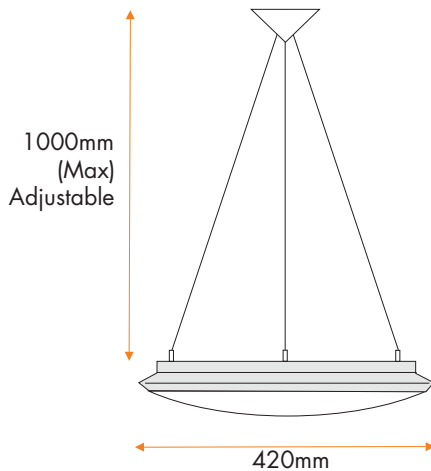
1x28W 2D

1x38W 2D

Emergency version available

### SPECIFICATION

- Metal spun body (white/brass/chrome)
- Polycarbonate opal diffuser
- Adjustable height (MAX 1m)



### High frequency

#### Fully wired

#### Lamps included

T3SPAP28DZWOL

28W white opal

T3SPAP28DZGOL

28W brass opal

T3SPAP28DZCOL

28W chrome opal

T3SPAP38DZWOL

38W white opal

T3SPAP38DZGOL

38W brass opal

T3SPAP38DZCOL

38W chrome opal

## CODE: SPH

### DESCRIPTION

A slimline circular luminaire ideal for ceiling/wall mounting. Flame retardant polycarbonate opal diffuser. Available in white, chrome or brass finish body, with a selection of clear, blue, red or green halo filter.

Available Version:

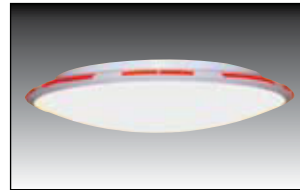
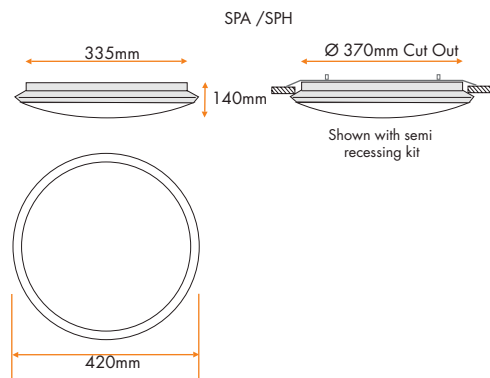
1x28W 2D

1x38W 2D

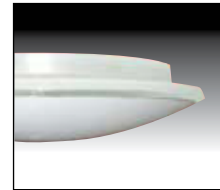
Emergency version available

### SPECIFICATION

- Metal spun body (white/brass/chrome)
- Polycarbonate opal diffuser
- Semi recessing kit available (optional)



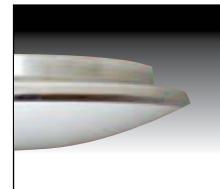
red filter



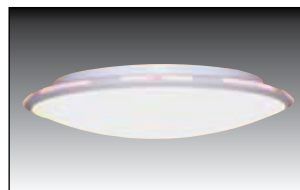
white



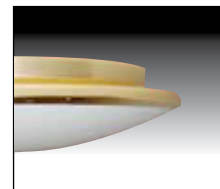
blue filter



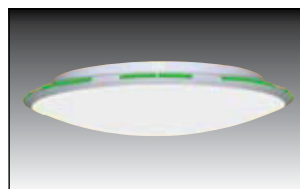
chrome



clear filter



brass



green filter

#### \* Halo filters

C = clear filter

G = green filter

B = blue filter

R = red filter

\* select halo filter

#### High frequency

##### Fully wired

##### Lamps included

T3SPH28DZW0\*L

28W white opal

T3SPH28DZG0\*L

28W brass opal

T3SPH28DZC0\*L

28W chrome opal

T3SPH38DZW0\*L

38W white opal

T3SPH38DZG0\*L

38W brass opal

T3SPH38DZC0\*L

38W chrome opal

# T3

Compact  
Decorative Range

## CODE: **SPHP**

### DESCRIPTION

A slimline circular pendant luminaire with flame retardant polycarbonate opal diffuser. Available in white, chrome or brass finish body, with a selection of clear, blue, red or green halo filter.

Available Version:

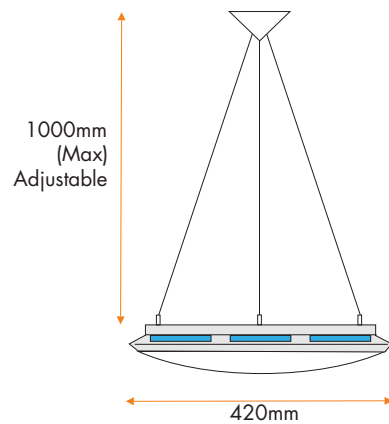
1x28W 2D

1x38W 2D

Emergency version available

### SPECIFICATION

- Metal spun body (white/brass/chrome)
- Polycarbonate opal diffuser
- Adjustable height (Max 1m)
- polycarbonate refractor lens



#### \* Halo filters

C = clear filter

G = green filter

B = blue filter

R = red filter

\* select halo filter

#### High frequency

##### Fully wired

##### Lamps included

T3SPHP28DZW0\*L

28W white opal

T3SPHP28DZG0\*L

28W brass opal

T3SPHP28DZC0\*L

28W chrome opal

T3SPHP38DZW0\*L

38W white opal

T3SPHP38DZG0\*L

38W brass opal

T3SPHP38DZC0\*L

38W chrome opal

## CODE: **ECP**

### DESCRIPTION

A slimline circular luminaire ideal for ceiling/wall mounting. Flame retardant polycarbonate opal diffuser. Available in white, chrome, brass or brushed steel finish.

Available Version:

1x28W 2D

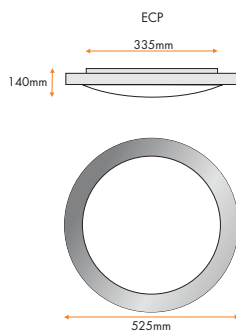
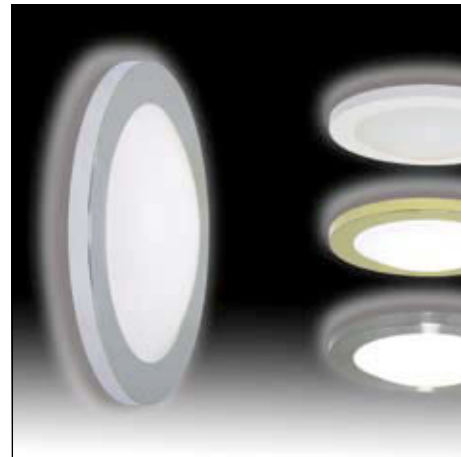
1x38W 2D

1x55W 2D

Emergency version available

### SPECIFICATION

- Metal spun body (white/brass/chrome/brushed steel)
- Polycarbonate opal diffuser
- Semi recessing kit available (optional)



High frequency	
Fully wired	Lamps included
T3ECP28DZWOL	28W white opal
T3ECP28DZGOL	28W brass opal
T3ECP28DZCOL	28W chrome opal
T3ECP28DZSOL	28W steel opal
T3ECP38DZWOL	38W white opal
T3ECP38DZGOL	38W brass opal
T3ECP38DZCOL	38W chrome opal
T3ECP38DZSOL	38W steel opal
T3ECP55DZWOL	55W white opal
T3ECP55DZGOL	55W brass opal
T3ECP55DZCOL	55W chrome opal
T3ECP55DZSOL	55W steel opal

# T3

Compact  
Decorative Range

## CODE: **ECPP**

### DESCRIPTION

A slimline circular pendant luminaire with flame retardant polycarbonate opal diffuser. Available in white, chrome, brass or brushed steel finish.

Available Version:

1x28W 2D

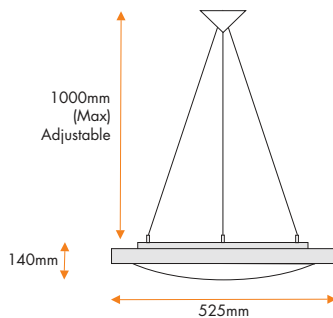
1x38W 2D

1x55W 2D

Emergency version available

### SPECIFICATION

- Metal spun body (white/brass/chrome/brushed steel)
- Polycarbonate opal diffuser
- Adjustable suspension height (Max 1m)



High frequency	
Fully wired	Lamps included
T3ECP28DZWOL	28W white opal
T3ECP28DZGOL	28W brass opal
T3ECP28DZCOL	28W chrome opal
T3ECP28DZSOL	28W steel opal
T3ECP38DZWOL	38W white opal
T3ECP38DZGOL	38W brass opal
T3ECP38DZCOL	38W chrome opal
T3ECP38DZSOL	38W steel opal
T3ECP55DZWOL	55W white opal
T3ECP55DZGOL	55W brass opal
T3ECP55DZCOL	55W chrome opal
T3ECP55DZSOL	55W steel opal

## CODE: TUS

### DESCRIPTION

Designed for compatibility with today's commercial interiors. This wall mounted version gives a combination of upward and downward light to produce an efficient optical system.

Available Version:

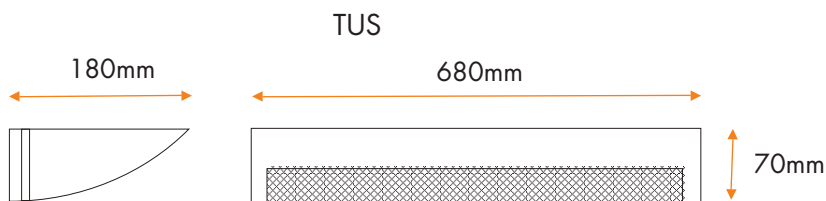
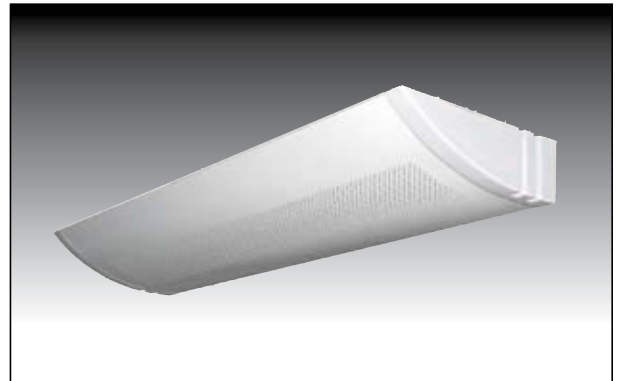
1x55W PLL

2x55W PLL

Emergency version available

### SPECIFICATION

- White powder coated metal body
- Perforated curved profile with an opal inner lining for diffuse illumination



High frequency	
Fully wired	Less lamps
T3TUS155PZ	1x55W HF Gear
T3TUS255PZ	2x55W HF Gear

# T3

Compact  
Decorative Range

## CODE: TUSP

### DESCRIPTION

Slim compact suspended fluorescent luminaire with upward and downward light.

### Available Version:

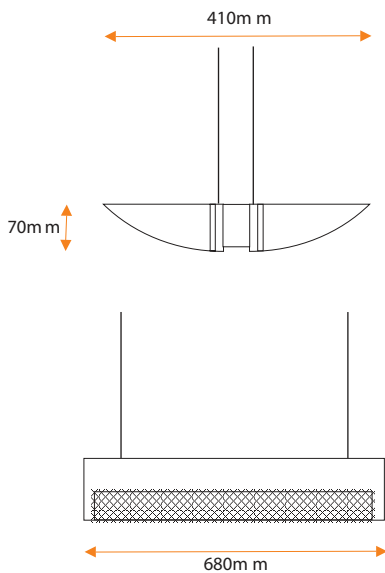
2x55W PLL

4x55W PLL

Emergency version available

### SPECIFICATION

- White powder coated metal body
- Perforated curved profile with an opal inner lining for diffuse illumination
- Soft spill of light softens luminaire edge
- Supplied with 1m adjustable suspension wire



High frequency

Fully wired

T3TUSP255PZ

T3TUSP455PZ

Less lamps

2x55W HF Gear

4x55W HF Gear

## Kalix

Superbly designed wall light suitable for hotels and commercial buildings.

### DESCRIPTION

Low profile wall or ceiling mounted luminaire, Which utilizes the latest energy saving high performance 14w T5 Fluorescent Lamps.

Manufactured from sheet steel the Kalix is available in a choice of white (Standard) or silver- grey finish. With a choice of two different diffusing fascias, to accommodate the ambience of their installation.

### AVAILABLE VERSIONS

Available in single and twin 14w high- frequency mains versions. With a 3 hour BSI approved emergency option available.

### SPECIFICATION

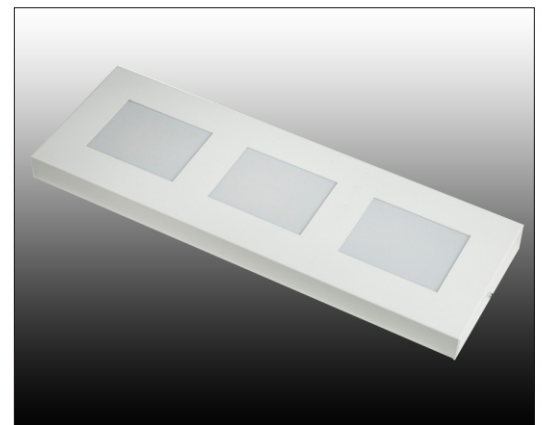
Part Number: T3 Kal14 - 14w T5 HF Mains

Part Number: T3 KAL2x14 - 2x14w T5 HF Mains

Part Number: T3 KAL14/M3 14w T5 M3 Emergency

Part Number: T3 KAL214/M3 2x14w T5 M3 Emergency

Part Number: T3 KAL14/#/D 14w T5 AC/DC Slave



#### Option Suffix:

/A	Kalix Style 'A' Diffuser
/B	Kalix Style 'B' Diffuser
/AD	Intelligent addressable
/ST	Digital Self test
/SG	Silver grey

## Kea

A Stylish wall Luminaire or exit sign for a prestigious interior applications.

### DESCRIPTION

The Stylish appearance coupled with its distinctive symmetrical design makes this surface mounted luminaire ideal for the most prestigious applications.

Suitable as an exit sign or a high frequency mains/ emergency luminaire.

Kea luminaire fitted with a exit legend has a viewing distance of 30 meters.

### AVAILABLE VERSIONS

Available in a choice of finishes: White (Standard) or an attractive Silver Grey option.

### SPECIFICATION

Part Number: T3 KE14 14w T5 HF Mains

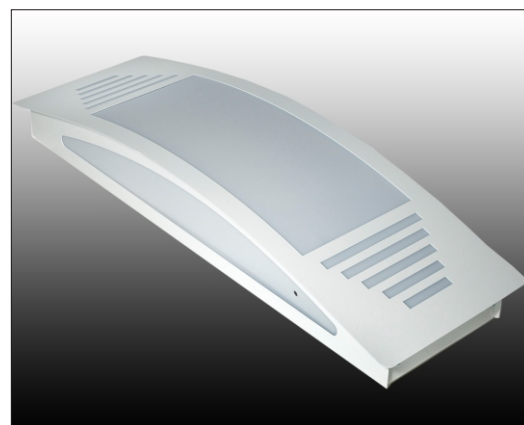
Part Number: T3 KE36 36W TCL HF Mains

Part Number: T3 KE14/M3 14w T5 M3 Emergency

Part Number: T3 KE36/M3 36W TCL M3 Emergency

Part Number: T3 KE14/#D 14w T5 Slave Emergency

Part Number: KE36 /#D 36W TCL Slave Emergency



### Option Suffix:

/AD	Intelligent adressable luminaire
/EX	Exit Fascia
/ST	Digital Self-Test
/SG	Silver Grey Finish

## Karis

Stylishly contemporary designed wall light suitable for hotels and commercial buildings.

### DESCRIPTION

Low profile wall mounted luminaire, which utilizes the latest energy saving high performance 18 \26w TCD Compact fluorescent Lamps.

Manufactured from sheet steel the Karis is available in a choice of white (Standard) or silver- grey finish. With an elegant polycarbonate diffuser designed to evenly diffuse its luminance.

### AVAILABLE VERSIONS

Available in single and twin high - frequency mains versions. With a 3 hour BSI approved emergency option available.

### SPECIFICATION

Part Number: T3 KAR1X18W TCD HF Mains  
Part Number: T3 KAR 2X18W TCD HF Mains

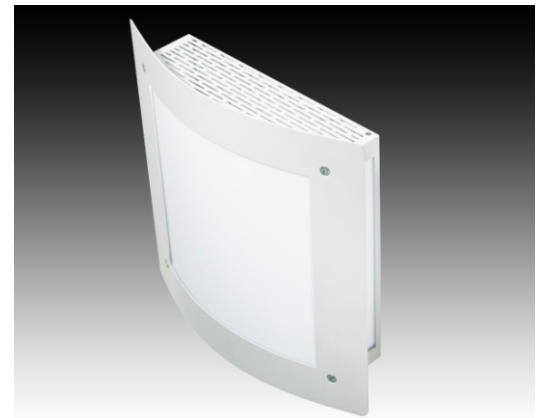
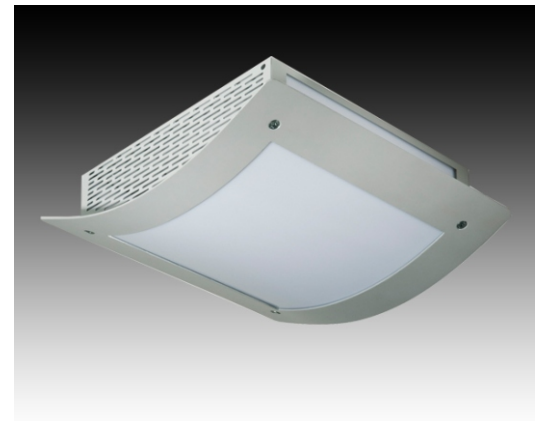
Part Number: T3 KAR1X26W TCD HF Mains  
Part Number: T3 KAR 2X26W TCD HF Mains

Part Number: T3 KAL18/M3 1X18w TCD M3 Emergency  
Part Number: T3 KAL218/M3 2X18w TCD M3 Emergency

Part Number: T3 KAL26/M3 1X26w TCD M3 Emergency  
Part Number: T3 KAL226/M3 2X26w TCD M3 Emergency

**All the above as slave options**

**DIMENSIONS of 345mm x 345mm x 100mm**



#### Option Suffix:

/A	Kalix Style 'A' Diffuser
/B	Kalix Style 'B' Diffuser
/AD	Intelligent addressable
/ST	Digital Self test
/SG	Silver grey