

T2 Surface Fluorescent Range

■ CRB	p08
■ CRF	p09
■ SBC	p10
■ MEA	p11
■ VITO	p12
■ SFC	p13
■ SFCP	p14
■ PEB	p15
■ PEA	p16
■ SH	p17

T2

Surface
Fluorescent Range

CODE: CRB

DESCRIPTION

Corrosion resistant enclosure offering high protection from dust and corrosion with IP65 protection.

Available Version:

1x18W	1x14W
2x18W	2x14W
1x36W	1x28W
2x36W	2x28W
1x58W	1x35W
2x58W	2x35W
T8 High frequency only	T5 High frequency only

SPECIFICATION

- Injection moulded polycarbonate body and diffuser
- Stainless steel clips available (optional)



T8 High frequency only

1x18W	T8CRB118	L620MM
2x18W	T8CRB218	L620MM
1x36W	T8CRB136	L1220MM
2x36W	T8CRB236	L1220MM
1x58W	T8CRB158	L1550MM
2x58W	T8CRB258	L1550MM

CODE: CRF

DESCRIPTION

Corrosion resistant enclosure offering high protection from dust and corrosion with IP65 protection.

Available Version:

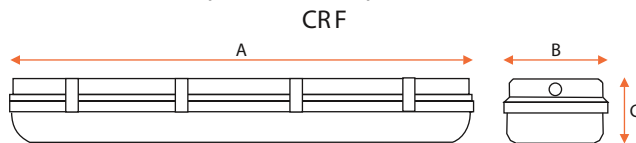
1x36W	1x28W
2x36W	2x28W
1x58W	1x35W
2x58W	2x35W
1x70W	1x49W
2x70W	2x49W
T8 High frequency only	T5 High frequency only



Emergency versions only available in twin lamp fittings.

SPECIFICATION

- Injection moulded polycarbonate body and diffuser
- Stainless steel clips available (optional)



Extra Slim

	L	W	D
1x36	1270	110	101
1x58	1570	110	101
1x70	1870	110	101
2x36	1270	175	101
2x58	1570	175	101
2x70	1870	175	101

	L	W	D
1x28	1200	60	75
1x35	1500	60	75
1x49	1800	60	75
2x28	1200	100	75
2x35	1500	100	75
2x49	1800	100	75

High Frequency - T8		High Frequency - T5	
T2CRF136FZ	1x36 WIP65 HF Gear	T2CRF128FZ	1x28 WIP65 HF Gear
T2CRF236FZ	2x36 WIP65 HF Gear	T2CRF228FZ	2x28 WIP65 HF Gear
T2CRF158FZ	1x58 WIP65 HF Gear	T2CRF135FZ	1x35 WIP65 HF Gear
T2CRF258FZ	2x58 WIP65 HF Gear	T2CRF235FZ	2x35 WIP65 HF Gear
T2CRF170FZ	1x70 WIP65 HF Gear	T2CRF149	1X49 WIP65 HF Gear
T2CRF270FZ	2x70 WIP65 HF Gear	T2CRF249	2X49 WIP65 HF Gear

T2

Surface
Fluorescent Range

CODE: SBC

DESCRIPTION

Surface mounted luminaire with extruded prismatic diffuser with two endcaps fastened by a spring allowing the easy replacement of the fluorescent tube. Ideal for installing in classrooms, canteens, restaurants, conference rooms, corridors, staircases etc.

Available Version:

1x36W 2x36W

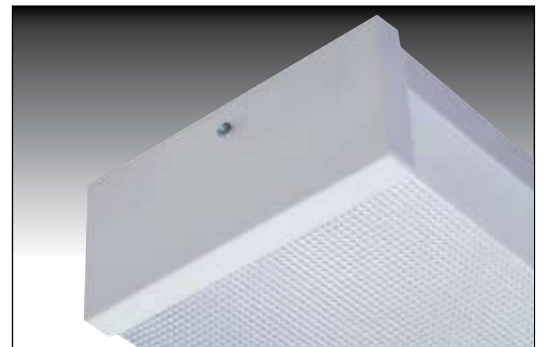
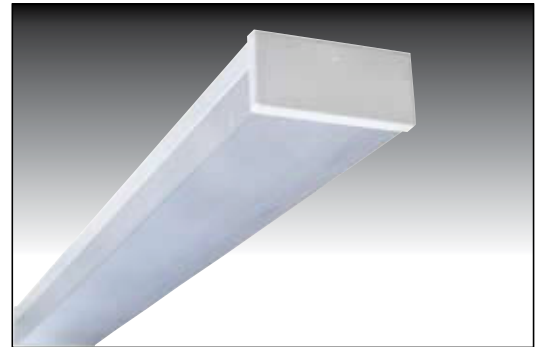
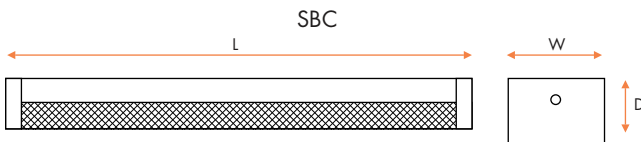
1x58W 2x58W

1x70W 2x70W

Emergency version available

SPECIFICATION

- Steel body sprayed white
- Extruded prismatic diffuser made of PMMA UV stabilised
- Steel end cap (optional)



Optional steel end cap

	L	W	D
1x36	1255	75	70
1x58	1550	75	70
1x70	1810	75	70
2x36	1255	152	70
2x58	1550	152	70
2x70	1810	152	70

High Frequency - T2

T2SBC136F 1x36W

T2SBC236F 2x36W

T2SBC158F 1x58W

T2SBC258F 2x58W

T2SBC170F 1x70W

T2SBC270F 2x70W

T2

Surface
Fluorescent Range

CODE: PEA

DESCRIPTION

A high performance suspended luminaire for 2 or 4 fluorescent T5 lamps giving both indirect and direct light distribution. Luminaire is supplied with a standard one metre suspension wire and electrical fed kit. This luminaire is suitable for a modern commercial installation.

Available Version:

2x28W

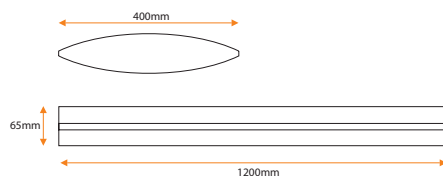
2x54W

4x28W

4x54W

SPECIFICATION

- Silver aluminium extrusion
- Diffuser made from PMMA
- Integral emergency available



Available Versions:

T2 PEA 228 L 1200

T2 PEA 428 L 1200

T2 PEA 254 L 1200

T2 PEA 454 L 1200



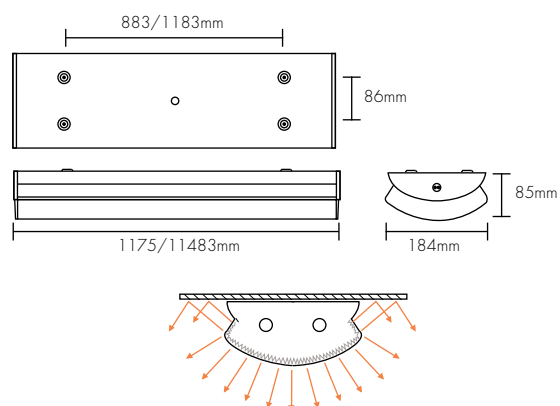
CODE: MEA

DESCRIPTION

High performance mounted T5 luminaire, suitable for healthcare, hospitals, schools, colleges and other similar applications.

Available Version: IP40 Rated

1x14W
2x14W
1x28W
2x28W
1x35W
2x35W



High Frequency - T5			Colour Filter Options
1x14W	T5CRB114	L620MM	(C) Clear
2x14W	T5CRB214	L260MM	(R) Red
1x28W	T5CRB128	L1220MM	(B) Blue
2x28W	T5CRB228	L1220MM	(G) Green
1x35W	T5CRB135	L1550MM	
2x35W	T5CRB235	L1550MM	

CODE: SFC

DESCRIPTION

Body in sheet steel with a thickness of 0.6mm. Surface treatment powder coating by thermo hardening polyurethane powders, stabilised and UV protected, preceded by washing and phospho-cleaning of the surfaces.

Available Version:

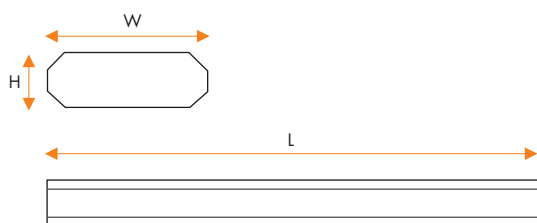
2x36W T8	2x28W T5
2x58W T8	2x35W T5
2x70W T8	2x54W T5
	2x49W T5



Emergency version available

SPECIFICATION

- Steel body sprayed white
- Anti iridescent polished anodised aluminium high performance louvre



	L	W	D
2x36	1255	250	65
2x58	1550	250	65
2x70	1824	250	65
2x54	1255	250	65
2x49	1550	250	65
2x28	1255	250	65
2x35	1550	250	65

Fully wired	Less lamps
T2SFC236FZ	2x36W T8 HF Gear
T2SFC258FZ	2x58W T8 HF Gear
T2SFC270FZ	2x70W T8 HF Gear
T2SFC254FZ	2x54W T8 HF Gear
T2SFC249FZ	2x49W T8 HF Gear
T2SFC228	2x28W T5 HF Gear
T2SFC235	2x35W T5 HF Gear

T2

Surface
Fluorescent Range

CODE: SFCP

DESCRIPTION

Suspended body in sheet steel with a thickness of 0.6mm. Surface treatment powder coating by thermo hardening polyurethane powders, stabilised and UV protected, proceeded by washing and phospho-cleaning of the surfaces.

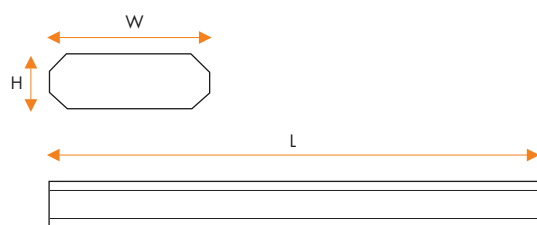
Available Version:

2x28W	2x54W
2x35W	2x58W
2x36W	2x70W
2x49W	

Emergency version available

SPECIFICATION

- Steel body sprayed white
- Anti iridescent polished anodised aluminium high performance louvre



	L	W	D
2x28	1255	250	65
2x35	1550	250	65
2x36	1255	250	65
2x49	1550	250	65
2x54	1255	250	65
2x58	1550	250	65
2x70	1824	250	65

Fully wired	Less lamps
T2SFC228FZ	2x28W T8 HF Gear
T2SFC235FZ	2x35W T8 HF Gear
T2SFC236FZ	2x36W T8 HF Gear
T2SFC249FZ	2x49W T8 HF Gear
T2SFC254FZ	2x54W T8 HF Gear
T2SFC258FZ	2x58W T8 HF Gear
T2SFC270FZ	2x70W T8 HF Gear

CODE: PEB

DESCRIPTION

A high performance suspended luminaire for 2 or 4 fluorescent T5 lamps giving both indirect and direct light distribution. Luminaire is supplied with a standard one metre suspension wire and electrical feed kit. This luminaire is suitable for a modern commercial installation.

Available Version:

2x28W

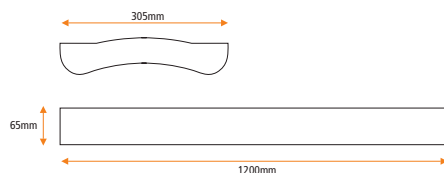
2x54W

4x28W

4x54W

SPECIFICATION

- Silver aluminium extrusion
- Diffuser made from PMMA
- Integral emergency available



T5 High frequency

2x28W	T5PEB228	L1200MM
2x54W	T5PEB135	L1200MM
4x28W	T5PEB235	L1200MM
4x54W	T5PEB454	L1200MM

T2

Surface
Fluorescent Range

CODE: PEA

DESCRIPTION

A high performance suspended luminaire for 2 or 4 fluorescent T5 lamps giving both indirect and direct light distribution. Luminaire is supplied with a standard one metre suspension wire and electrical feed kit. This luminaire is suitable for a modern commercial installation.

Available Version:

2x28W

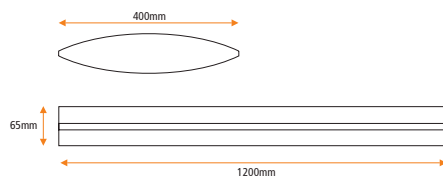
2x54W

4x28W

4x54W

SPECIFICATION

- Silver aluminium extrusion
- Diffuser made from PMMA
- Integral emergency available



Available Versions:

T2 PEA 228

T2 PEA 428

T2 PEA 254

T2 PEA 454

T2

Surface
Fluorescent Range

CODE: VITO

DESCRIPTION

Slimline surface/suspended direct/indirect luminaire with aesthetically pleasing winged reflector and micro perforated opal lined central basket. White powder coated steel body and basket c/w polycarbonate end-caps.

Available Version:

2x18W

2x28W

2x35W

2x36W

2x58W

2x70W

Emergency version available

For 3HR maintained integral emergency add EM to the end of the above product codes, for example SSFLV218EM

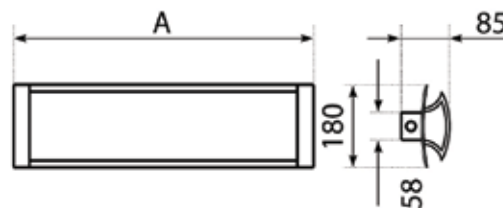
For High frequency versions of the above fittings add HF to the end of the product codes, for example SSFLV218HF

Installation – By suspension, or by mounting direct on to non-flammable surface

Dimming – Dimmable ballast details available on request

SPECIFICATION

- White powder coated steel body and basket
- Polycarbonate end cap



Fully wired	
T2VITOHF218	2x18W
T2VITOHF236	2x36W
T2VITOHF258	2x58W
T2VITOHF270	2x70W
T2VITOHF228	2x28W
T2VITOHF235	2x35W

CODE: SH

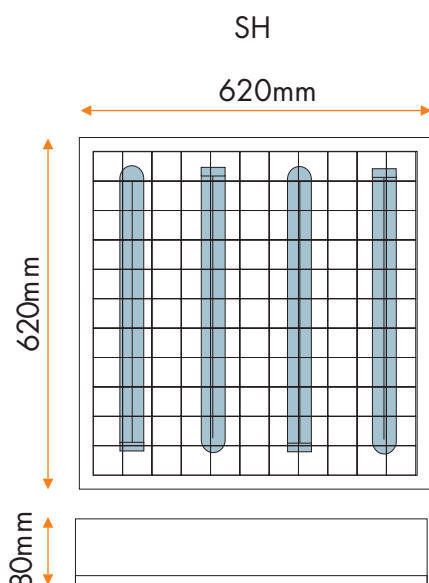
DESCRIPTION

Sports hall luminaire with a shallow profile for use in leisure centres and multi-purpose sports halls.

Available Version:
4x55W PLL
Emergency

SPECIFICATION

- Steel body sprayed white
- Wire guard
- Separate switching available



Fully wired

T2SH455PZ

Less lamps

4x55W HF Gear

