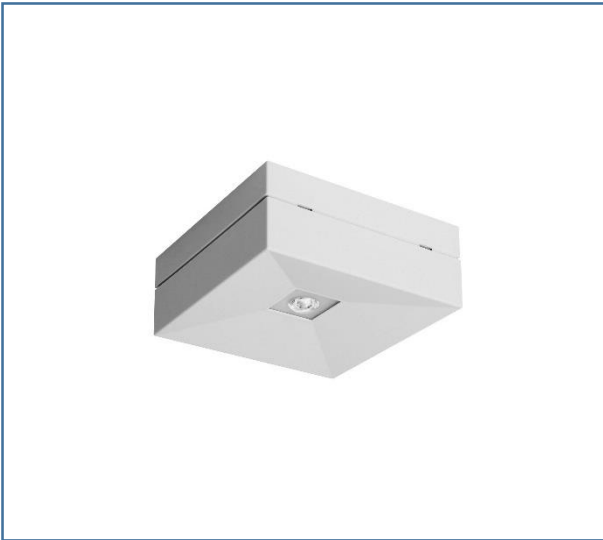


AXN Square



Features:

- Polycarbonate body
- Non maintained, maintained, auto test, manual test button, central battery system all available with this product.

	Specification options
Light Source	LED
Power Consumption	1W, 2W, 3W
Lumens	120Lm, 350Lm
Colour Options	-
Beam Angle Options	60°, 110°
CRI	-
Lifetime	50,000 hours
Finish	White
Ingress Protection	IP41
Diffuser	-
Dimming Options	-
Dimensions	W: 132mm L: 132mm D: 74mm