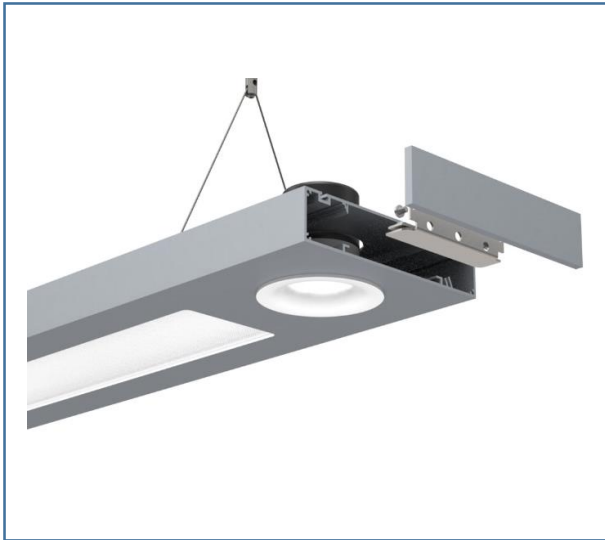


Slim



Features:

- Bespoke lengths.
- Can include sensors, and emergency stand alone units in blanking plates.
- Integral control gear.
- Available recessed, suspended or surface.
- Can be direct or indirect for suspended.

	Specification options
Light Source	LED
Power Consumption	16W – 127W
Lumens	2 x 650Lm – 8 x 2000Lm
Colour Options	2700K, 3000K, 4000K
Beam Angle Options	-
CRI	80
Lifetime	50,000 hours +
Finish	White, anodised aluminium, black anodised.
Ingress Protection	IP40/IP44
Diffuser	Opal, Micro prismatic, asymmetric.
Dimming Options	Contact info@4dlighting.co.uk
Dimensions	L: Min 584mm+ x W: 165mm x D: 36mm